

# General Specifications

Model SPBD (Style E)  
Standby Manual Station

YEW SERIES 80

The SPBD Standby Manual Station plugs into the lower part of the housing of a YewSeries Instrument – such as a controller – to allow manual control of the output (the Instrument may be removed for maintenance).

## STANDARD SPECIFICATIONS.

**Input Signal:** 1 to 5 V DC. (Process variable)  
4 to 20 mA or 10 to 50 mA DC. (Manipulated variable)  
**Input Impedance:** 1 M $\Omega$ .  
**Output Signal:** 4 to 20 mA or 10 to 50 mA DC.  
**Load Resistance:** 0 to 750  $\Omega$  (for 4 to 20 mA output);  
0 to 300  $\Omega$  (for 10 to 50 mA output).

**Input Indicator:**  
Indication Range: 0 to 100%.  
Scale: 20 uniform graduations.  
Accuracy:  $\pm 2.5\%$  of span.

**Manipulated signal Indicator:**  
Indication Range: 0 to 100%.  
Scale: 20 uniform graduations.  
Accuracy:  $\pm 2.5\%$  of span.

**Output Setting:** By knob on the front panel.

### Normal Operating Conditions

**Ambient Temperature:** 0 to 50°C.  
**Ambient Humidity:** 5 to 90% relative humidity (non-condensing).  
**Internal Battery:** Three IEC size 6F22 dry cells permit portable operation.

| Output   | Peirod of battery operation            |
|----------|--|
| 20 mA DC | 10 to 60 min. * (500 $\Omega$ load)    |
| 50 mA DC | 5 to 30 min. * (for 200 $\Omega$ load) |

\* at operating temperature of 25°C.

**Battery Check:** Press the pushbutton on the front panel to display battery level on the input indicator. (For the battery check procedure, refer to the user's manual.)

**Power Supply\*\*:** Two versions, for "100 V" (standard) or "220 V" (option / A2ER). Both versions may use AC or DC, without change to the instrument:

| Version                  | 100 V       | 220 V        |
|--------------------------|-------------|--------------|
| DC (polarity reversible) | 20 to 130 V | 120 to 340 V |
| AC (47 to 63 Hz)         | 80 to 138 V | 138 to 264 V |

\*\*When installed in YewSeries panel-mount housing.

### Maximum Power Consumption:

60 mA with 24 V DC power supply.  
5.4 VA with 100 V AC power supply.  
8.4 VA with 220 V AC power supply.

### Insulation Resistance:

Between I/O Plug and Case (Ground): 100 M $\Omega$ /500 V DC.



Between Power and Ground: 100 M $\Omega$ /500 V DC.

### Dielectric Strength:

Between I/O Plug and Case (Ground): 500 V AC for 1 minute.

Between Power and Ground: 1500 V AC for 1 minute.

**Wiring:** The instrument is fitted with a 900-mm cord which plugs into the panel-mount housing of certain other YewSeries instruments.

**Mounting:** The instrument is portable, but it can be installed in a YewSeries 80 panel-mount housing.

**Front Panel Finish:** Dark Green (Munsell 2.5GY 3/1).

### Nameplate:

Size: 8 X 65.3 mm, cream semi-gloss finish.

Lettering: In black, one or two rows each up to 14 alphanumeric characters long.

**External Dimensions:** 166 (H) X 70 (W) X 280 (D) mm.

**Weight:** 2.5 kg.

## OPTIONS.

/A2: 220 V power supply version.

/NPE: Letters engraved on front panel nameplate.

## ACCESSORIES.

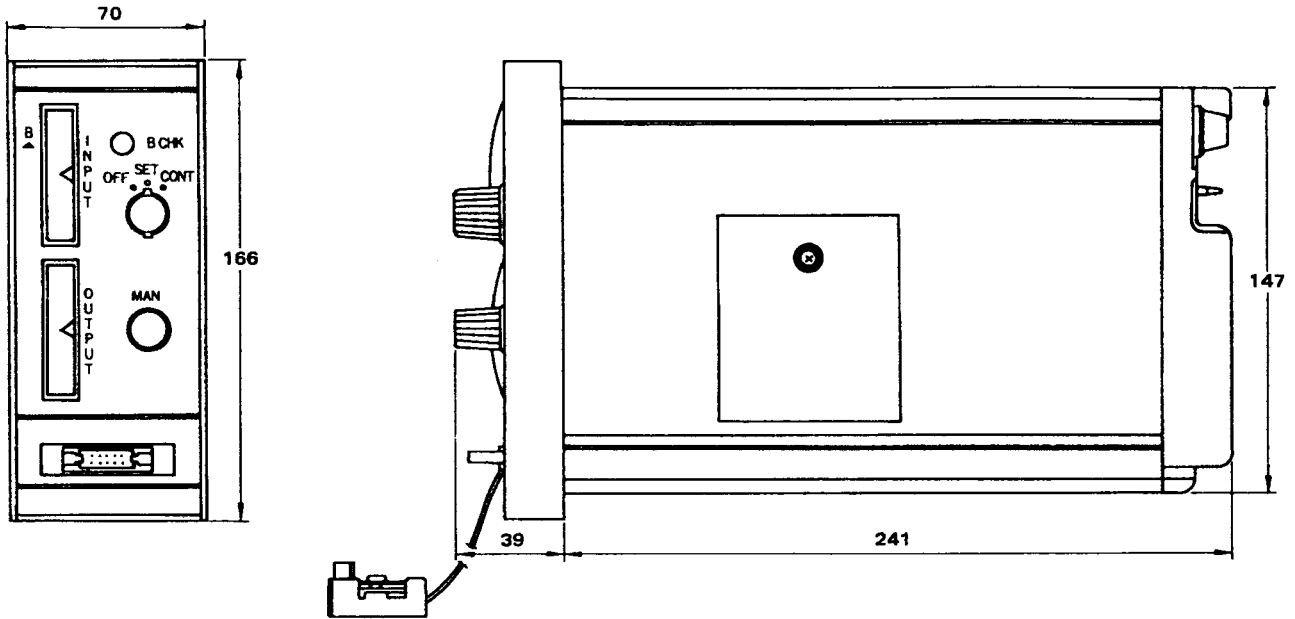
1 A fuse, quantity one.

## MODEL AND SUFFIX CODES.

| Model      | Suffix Code | Description                                       |
|------------|-------------|---|
| SPBD       | .....       | Standby Manual Station                            |
|            | -000 .....  | Always 000  |
| Style Code | *E          | Style E   |
| Options    | /A2<br>/NPE | 220 V power supply version<br>Nameplate engraving |

**EXTERNAL DIMENSIONS.**

Unit: mm



**TERMINAL CONNECTIONS.**

| Terminal Designation | Description        | Terminal Designation | Description  |
|----------------------|--------------------|----------------------|--|
| 1                    | Input, 1 to 5 V DC | 17                   | Manipulated output (4 to 20 mA DC or 10 to 50 mA DC) |
| 2                    |                    | 18                   |  |
| 3                    |                    | 19                   |  |
| 4                    |                    | 20                   |  |
| 5                    |                    | 21                   |  |
| 6                    |                    | A                    |  |
| 7                    |                    | B                    |  |
| 8                    |                    | C                    |  |
| 9                    |                    | D                    |  |
| 10                   |                    | F                    |  |
| 11                   |                    | H                    |  |
| 12                   |                    | J                    |  |
| 13                   |                    | K                    |  |
| 14                   |                    | L                    |  |
| 15                   |                    | M                    |  |
| 16                   |                    | N                    |  |

===== **ORDERING INSTRUCTIONS** =====

When ordering, specify the model and suffix codes.

===== **RELATED EQUIPMENT** =====

SHUP Housing Kit. . . . . See GS 1B4F1-E

**Related Spare Parts**

Battery (IEC type 6F22,  
JIS type S-006P) (3 required) . . . . Part No. A9006ED